

# Mortise locks

TESA

ASSA ABLOY



# Evolution is spreading



Evolution in mortise locks has led TESA to expand its range constantly, with various backsets, finishes, distances between shafts, latch solutions, PEDs, locks for schools, hospitals, offices...

### A wide range

TESA offers a wide range of mortise locks with various solutions, backsets, distances between shafts, latch solutions, PEDs, automatic projections, functions...



### Finishes

A wide choice of finishes. Guaranteed by TESA, STAINLESS finishes ensure high anticorrosion resistance. Available finishes: painted, nickel, brass...



### UNE-EN 12209 certification

The locks in the institutional range have been certified by the European standard that regulates architectural fittings. This ensures that requisites of durability are met, as well as resistance, security and the right functioning of locks and latches.



### Guaranteed process

Our advanced I+D department is constantly working to improve production processes, providing the market with new, enhanced products that meet the increasingly demanding needs in the market. TESA manufactures all its products with top quality products such as stainless steel, which is employed as the standard material for fronts and strikes.

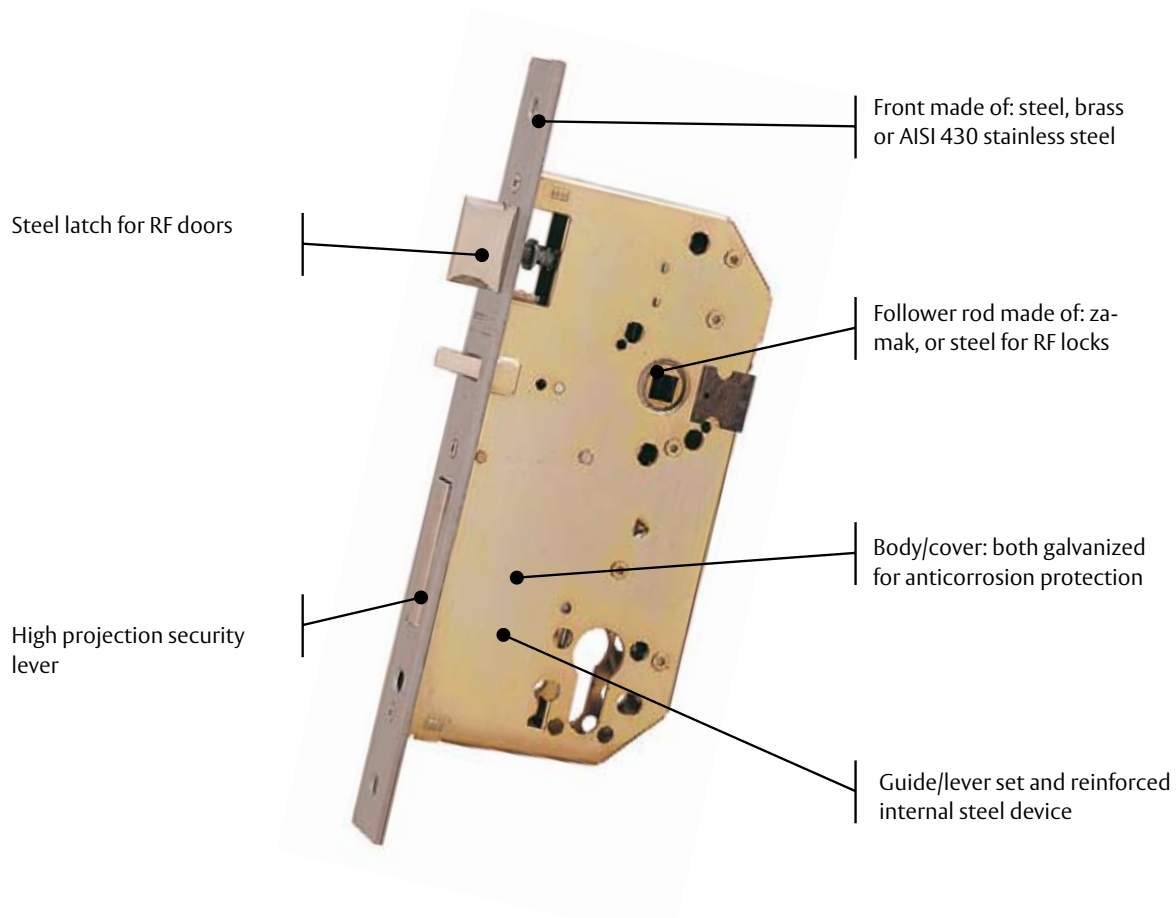


### Guaranteed by tesa

Buying TESA is a quality guarantee. All our products boast the highest guarantees, such as the ISO 9001 Quality certificate, the environmentally-conscious ISO 14001 and the Occupational Hazard Prevention standard. TESA offers ecologically sustainable quality products, manufactured by highly dedicated staff.



# Components of the lock



## Anticard security device

When we close the door without locking it with a lever, this device prevents the latch from being pushed in from the outside with a card or a radiography.

## Protective antidrill follower rod

It is used in panic exit locks with a double follower rod - this protects the door from attempts of drilling it from the outside and inserting a handle in order to open it.

## Finishes guarantee

Finishes		Layer hardness s/ANSI A 156.18	Adherence s/ASTM D 3359/90	Anticorrosion resistance s/prEN 1670
HL	Brass steel	4H	4B	up to 96 hours
HN	Brass steel	4H	4B	up to 96 hours
HE / AE	Glazed steel	4H	4B	up to 96 hours
NE	Black epoxy	4H	4B	up to 96 hours
AI	AISI 430 stainless	4H	4B	up to 96 hours

# Visual index



2000 series  
Page 6



Dual latchbolt series  
Page 8



134U plus series  
Page 10



DEC series  
Page 11



2010 series  
Page 11



130 series  
Page 14



2030 series  
Page 16



2UB0F series  
Page 22



Accessories  
Page 25

B

# Mortice locks

## 2000 series.

The Standard Range provides solutions for timber doors at a reasonable price with the reliability and finishing quality of higher ranges.

- » Mortice lock for timber doors.
- » Reversible latchbolt.
- » Distance between axes: 50 mm. (2000), 47'5 mm. (2002/2004) or 47 mm (2004U).
- » Backset: 30/ 40/ 50 mm.
- » Follower: 8 mm. Thumbturn follower: 6 mm.
- » Narrow forend (20 mm.) suitable for overlapping doors.
- » 1/2 rounded forend available.
- » Closed lockcase.
- » Round cylinder TE-5 with 3 nickel plated steel keys (2000/ 2001).
- » 1 nickel plated steel warded key (2002/ 2003).
- » Packed: 15/60 units (2005) and 1/20 units (rest).

Supplies/Finish	HL
Lockcase	galvanized
Forend	steel/ brass
Forend	steel/ brass
Latchbolt	nickel plated die cast
Deadbolt	nickel plated die cast



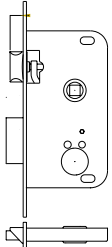
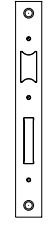
## 2000. Entrance

### Features

Round cylinder TE-5 with 3 nickel plated steel keys.

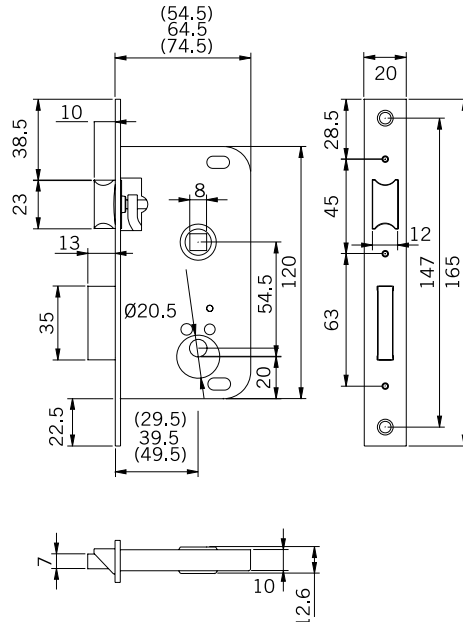
### Operation

- » Cylinder withdraws deadbolt and latchbolt.
- » Lever withdraws latchbolt.

2000	Model	Backset	Finish	Packaging
	2000	30 / 40 / 50	HL	1 / 20
	2000	30 / 40 / 50	HN	1 / 20

**Underline:** "Express 5" service.

No underline: 15 working days maximum.



# Mortice locks

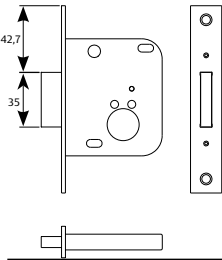
## 2001 Store room

### Features

» Round cylinder TE-5 with 3 nickel plated steel keys.

### Operation

» Cylinder withdraws deadbolt.

2001	Model	Backset	Finish	Packaging
	2001	30 / 40 / 50	HL	1 / 20
	2001	30 / 40 / 50	HN	1 / 20

## 2002 Privacy

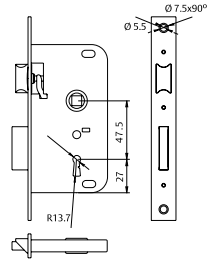
### Features

» 1 warded key.

### Operation

» The key withdraws the deadbolt.

» Lever withdraws latchbolt.

2002	Model	Backset	Finish	Packaging
	2002	30 / 40 / 50	HL	1 / 20
	2002	30 / 40 / 50	HN	1 / 20

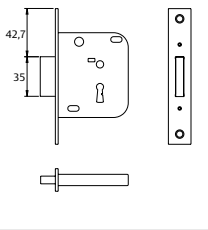
## 2003 Store room

### Features

» 1 warded key.

### Operation

» The key withdraws the deadbolt.

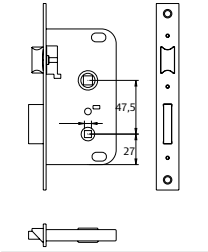
2003	Model	Backset	Finish	Packaging
	2003	30 / 40 / 50	HL	1 / 20
	2003	30 / 40 / 50	HN	1 / 20

## 2004 Privacy

### Features

» Thumbturn withdraws deadbolt.

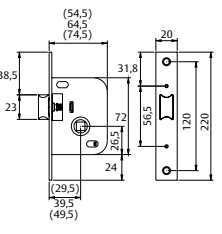
» Lever withdraws latchbolt.

2004	Model	Backset	Finish	Packaging
	2004	30 / 40 / 50	HL	1 / 20
	2004	30 / 40 / 50	HN	1 / 20

## 2005. Passage

### Operation

» Lever withdraws latchbolt.

2005	Model	Backset	Finish	Packaging
	2005	30 / 40 / 50	HL	1 / 20
	2005	30 / 40 / 50	HN	1 / 20

Underline: "Express 5" service.

No underline: 15 working days maximum.

# Dual latchbolt

## The competitive advantage

The competitive advantage

- » The new DUAL latchbolt provides a competitive advantage for the door manufacturer or the carpenter: only one lock is needed to equip both passage and bathroom/ bedroom doors.
- » The use of the door (passage/ bathroom) is decided at the building works. The carpenter reduces his stock to one type of door. The handle will give the function to the door.

## 2004U series

### Features

- » Latchbolt for timber doors.
- » Suitable for both passage and bathroom/ bedroom doors.
- » Reversible.
- » Anti lock-out feature: when the door is open and locked automatic slam release. Door remains unlocked even if accidentally closed, if thumbturn has been operated. Prevents accidental lock-out.
- » Distance between axes: 47 mm.
- » Distancia entre ejes: 47mm.
- » Backset: 50 mm.
- » Follower: 8 mm. Thumbturn follower: 6 mm.
- » Narrow forend (20 mm.) suitable for overlapping doors.
- » 1/2 rounded forend available.
- » Closed lockcase.
- » Packed: 1/60 units.

Finishes (forend/ strike)

- » Brass plated steel (HL)
- » Nickel plated steel (HN)
- » Gold enamelled steel (AE)
- » Stainless steel AISI 430 (AI)
- » Black painted steel (NE).

Model	Backset. 1/2 round forend or square	Finish	Packaging
2004U	5R / 50	HL	14 / 56
2004U	5R / 50	HN	14 / 56
2004U	5R / 50	AE	14 / 56
2004U	5R / 50	AI	14 / 56
2004U	5R / 50	NE	14 / 56

Underline: "Express 5" service.

No underline: 15 working days maximum.

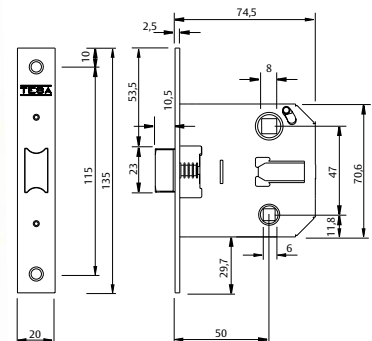
Model	Silence latchbolt	Backset. 1/2 round forend or square	Finish	Packaging
2004U	S	5R / 50	HL	14 / 56
2004U	S	5R / 50	HN	14 / 56
2004U	S	5R / 50	AE	14 / 56
2004U	S	5R / 50	AI	14 / 56
2004U	S	5R / 50	NE	14 / 56

Underline: "Express 5" service.

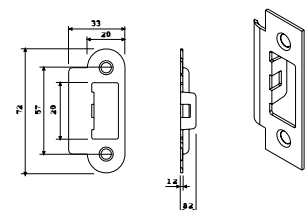
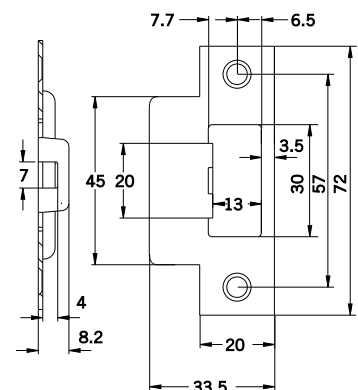
No underline: 15 working days maximum.



2004U



2004U silence latchbolt





# Dual latchbolt

## Advantage

- » TESA adds value to these advantages offering:
  - a) Two distances between axes: 47 and 70 mm. (2004U/ 134U).
  - b) Anti-lockout feature.

- c) Bolt through fixing possibility with any rose handle(134U).
- d) Wide range of finishes guaranteed by TESA, the most renowned name throughout the world for its security products.

## 134U series

### Features

- » Latchbolt for timber doors.
- » Suitable for both passage and bathroom/ bedroom doors.
- » Reversible.
- » Anti lock-out feature: when the door is open and locked automatic slam release. Door remains unlocked even if accidentally closed, if thumbturn has been operated. Prevents accidental lock-out.
- » Lockcase prepared for handle bolt through fixing.
- » Distance between axes: 70 mm.
- » Backset: 50 mm.
- » Follower: 8 mm. Thumbturn follower: 6 mm.

### Finishes (forend/ strike)

- » Brass plated steel (HL)
- » Nickel plated steel (HN)
- » Gold enamelled steel (AE)
- » Stainless steel AISI 430 (AI)
- » Black painted steel (NE).

Model	Backset. 1/2 round forend or square	Finish	Packaging
134U	5R / 50	HL	10 / 40
134U	5R / 50	HN	10 / 40
134U	5R / 50	AE	10 / 40
134U	5R / 50	AI	10 / 40
134U	5R / 50	NE	10 / 40

Underline: "Express 5" service.

No underline: 15 working days maximum.

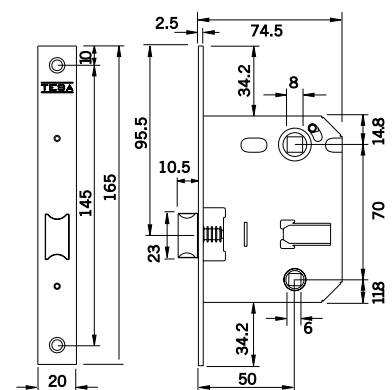
Model	Silence latchbolt	Backset. 1/2 round forend or square	Finish	Packaging
134U	S	5R / 50	HL	14 / 56
134U	S	5R / 50	HN	14 / 56
134U	S	5R / 50	AE	14 / 56
134U	S	5R / 50	AI	14 / 56
134U	S	5R / 50	NE	14 / 56

Underline: "Express 5" service.

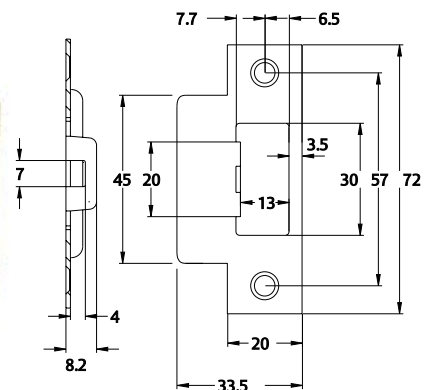
No underline: 15 working days maximum.



134U



134U silence latchbolt



# High range latch

## 134U Plus series

CERTIFIED ACCORDING  
**UNE-EN  
12209:2004**

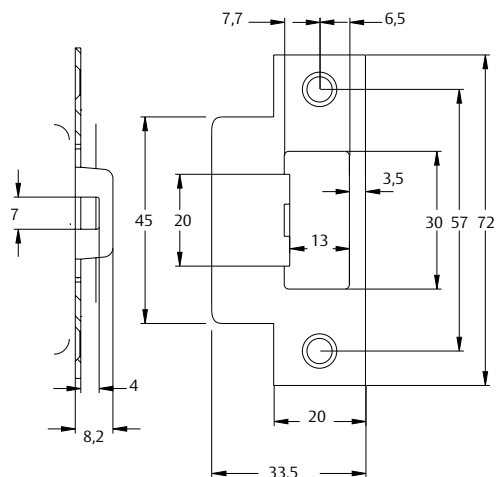
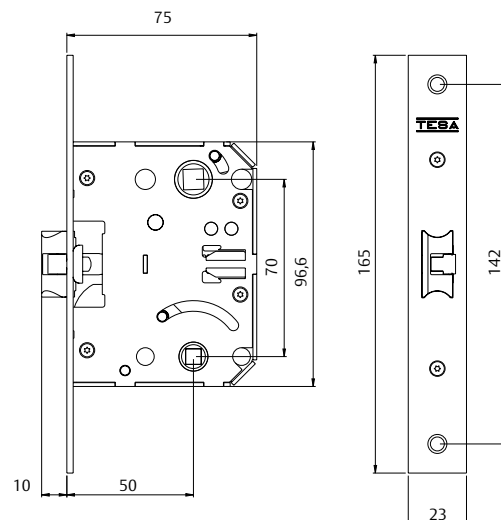
### Features

- » Mortise lock for wooden doors.
- » Distance between shafts: 70 mm.
- » Backset: 50/60.
- » Valid for both passage and deadbolt doors.
- » Automatic unblocking of deadbolt: if the deadbolt is activated with an open door, this will be released when it is closed.
- » Reversible latch made of AISI 304 wrought stainless steel. Silent, fire-resistant.
- » Handle follower rod: 8mm. Deadbolt follower rod: 6 mm.
- » 23 mm front, square or round-shaped.
- » Housings conform to DN standard for double rapiers.
- » Packaging in one single box.
- » Certified according to the 12209 CE-EN standard.
- » With strike protector.

### Finishes

- » Brass steel (HL)
- » Nickel brass (HN)
- » Glazed steel (AE)
- » AISI 430 stainless steel (AI)
- » Antique brass (LA)

Model	Backset. 1/2 round forend or square	Finish	Packaging
134UP	5R / 50	AE	1
134UP	5R / 50	HN	1
134UP	5R / 50	HL	1
134UP	5R / 50	AI	1
134UP	5R / 60	AE	1
134UP	5R / 60	HN	1
134UP	5R / 60	HL	1
134UP	5R / 60	AI	1



# Solutions for special applications

## For swinging and sliding doors

### DEC: Disabled Elderly Children

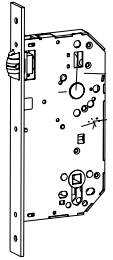
Specifically designed mechanism for making the access, exit and comfort easier for users with limitations:


- » Handicapped, elderly and children with reduced mobility.
- » Specially for swinging or sliding toilet doors.
- » Geriatric hospitals, health centers, hospitals in general, nursery (school), daycare centers, etc.

### Features:

- » From the outside, when you push the door opens.
- » From the inside, the roller blocks lifting up the handle.
- » From the inside, the roller unblocks lifting down the handle.
- » The rollers allows the opening to the outside and to the inside.
- » In the case of sliding doors instead of a roller we apply a hook. Equivalent system as with the roller.
- » Red sign means occupied and green sign means free.
- » Emergency opening with screwdriver or coin.
- » BRAILLE KIT OPTION: check in the "handles" chapter.
- » ANTIMICROBIAL OPTION: check in the "handles" chapter.



Set DEC solutions	Kind of door	Model	Finish
	Swinging door	2DEC66DAI	60
	Swinging door	2DEC66IAI	60

Set DEC solutions	Kind of door	Model	Backset	Finish
	Sliding door	2DEC86DAI	60	AI
	Sliding door	2DEC86IAI	60	AI

### DEC solution elements

Swinging lock

Sliding lock

Set of squared plate



# Building range

## 2010 series

- » Sashlock for timber doors.
- » Reversible
- » Distance between axes: 50 mm. (2010), 47 mm. (2010P).
- » Backset: 40/ 50/ 60 mm.
- » Follower: 8 mm. Thumbturn follower: 6 mm.
- » Optional: Narrow forend (20 mm.) suitable for overlapping doors.
- » 1/2 rounded forend available.
- » Round cylinder TE-5 (2010). Euro-profile 5 pin cylinder made to DIN V 18254 with 3 nickel plated steel sawn keys (2010P).
- » Packed: 10/40 units (2015) and 1/20 units (rest).



### 2010. Entrance

#### Features

- » Distance between axes: 50 mm. Backset: 40/ 50 mm.

#### Operation

- » 14 mm. single throw.
- » Reversible latchbolt withdraws from either side whit lever or knob or by cylinder.

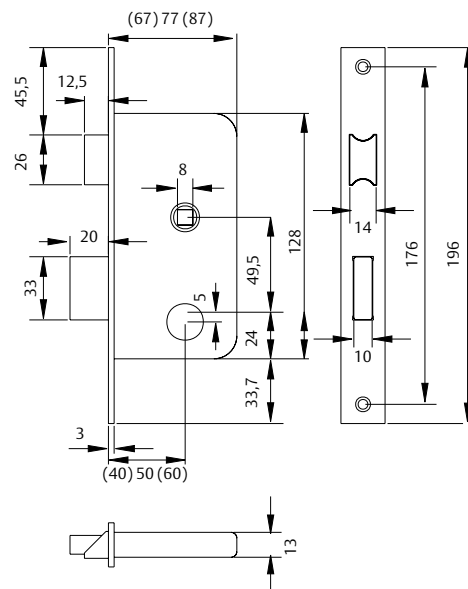
2010	Model	Backset	Finish	Packaging
	2010	40 / 50	HL	1 / 20

### 2010-P. Entrance

#### Features

- » Distance between axes: 47 mm. Backset: 40/ 50/ 60 mm
- » 20 mm. double throw.
- » Reversible latchbolt withdraws from either side whit lever or knob or by cylinder.

2010-P	Model	Backset	Finish	Packaging
	2010-P	40 / 50	HL	1 / 20
	2010-P	40 / 50	HN	1 / 20
	2010-P	60	HL	1 / 20
	2010-P	60	HN	1 / 20



# Building range

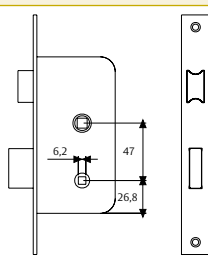
## 2014. Privacy

### Features

- » Optional: 20 mm. narrow forend

### Operation

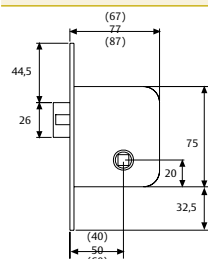
- » 14 mm. single throw
- » Reversible latchbolt withdraws from either side whit lever or knob.

2014	Model	Backset	Finish	Packaging
	2014	40 / 50	HL	1 / 20
	2014	40 / 50	HN	1 / 20
	2014	60	HL	1 / 20
	2014	60	HN	1 / 20

## 2015. Passage

### Operation

- » Reversible latchbolt withdraws from either side whit lever or knob.

2015	Model	Backset	Finish	Packaging
	2015	40 / 50	HL	1 / 20
	2015	40 / 50	HN	1 / 20
	2015	60	HL	1 / 20
	2015	60	HN	1 / 20

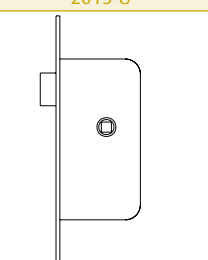
## 2015 - U. Passage

### Features

- » Same dimensions than 2010P/ 2014/ 2015.
- » Optional: 20 mm. narrow forend.

### Operation

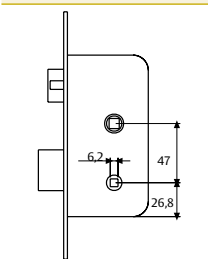
- » Reversible latchbolt withdraws from either side whit lever or knob.

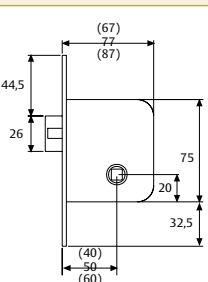
2015-U	Model	Backset	Finish	Packaging
	2015 - U	4R / 5R	HL	1 / 20
	2015 - U	4R / 5R	HN	1 / 20
	2015 - U	6R	HL	1 / 20
	2015 - U	6R	HN	1 / 20

## 2S10P / 2S14 / 2S15 Silent tech series

### Features

- » Zinc alloy sprung anti-friction latchbolt: smoother operation.
- » Reversible.
- » Entrance, passage and privacy models available.

2S14	Model	Backset	Finish	Packaging
	2S14	50	HL	1 / 20
	2S14	50	HN	1 / 20

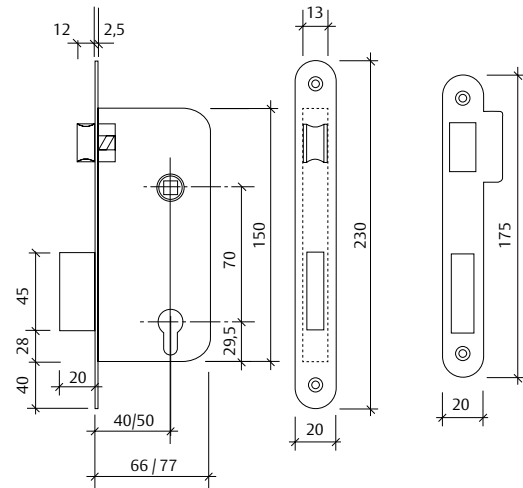
2S15	Model	Backset	Finish	Packaging
	2S15	50	HL	1 / 20
	2S15	50	HN	1 / 20

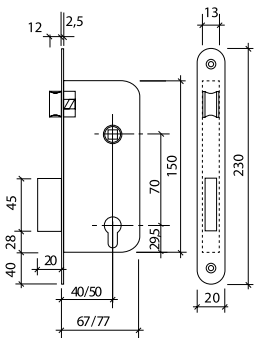


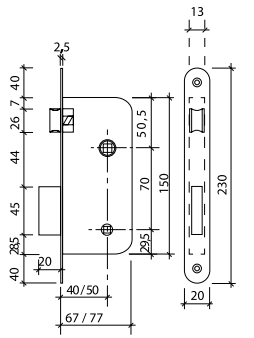
# Building range

## 130 serie

- » Sashlock for timber doors.
- » Reversible.
- » Distance between axes: 70 mm.
- » Backset: 40/ 50 mm.
- » Follower: 7/8 mm. Thumbturn follower: 6 mm.
- » Narrow forend (20 mm.) suitable for overlapping doors.
- » 1/2 rounded forend available.
- » Closed lockcase to avoid shaving come in.
- » Lockcase, forend and strike dimensionally unified for the complete range.
- » Euro-profile 5 pin cylinder made to DIN V 18254 with 3 nickel plated steel sawn keys. HL/ AE finish: brass finished cylinder. HN finish: nickel finished cylinder.
- » Packed: 1/20 units.



130	Model	Backset	Follower	Front plate	Finish	Packaging
	130	4/5	8	C/R	AE	1/20
	130	4/5	8	C/R	HL	1/20
	130	4/5	8	C/R	HN	1/20
	130	4/5	8	C/R	AI	1/20
	130	5	Silent	C/R	HL	1/20
	130	5	Silent	C/R	HN	1/20

134	Model	Backset	Follower	Front plate	Finish	Packaging
	134	4/5	8	C/R	AE	1/20
	134	4/5	8	C/R	HL	1/20
	134	4/5	8	C/R	HN	1/20
	134	5	Silent	C/R	AI	1/20
	134	5	Silent	C/R	HL	1/20
	134	5	Silent	C/R	HN	1/20

# Building range

135	Model	Backset	Follower	Front plate	Finish	Packaging
	135	4/5	8	C/R	AE	1/20
	135	4/5	8	C/R	HL	1/20
	135	4/5	8	C/R	HN	1/20
	135	4/5	8	C/R	AI	1/20

137	Model	Backset	Follower	Front plate	Finish	Packaging
	137	5	8	C/R	AE	1/20
	137	5	8	C/R	HL	1/20
	137	5	8	C/R	HN	1/20
	137	5	8	C/R	AI	1/20

Underline: "Express 5" service.  
 No underline: 15 working days maximum.

B

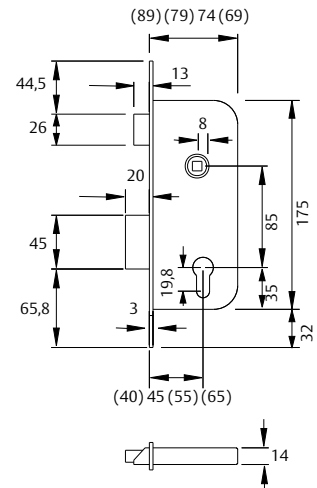
# Building range

## 2030 series

- » Sashlock for timber doors.
- » Reversible.
- » Distance between axes: 85 mm.
- » Backset: 40/ 50/ 60/ 70 mm.
- » Follower: 8 mm. Thumbturn follower: 6 mm.
- » 1/2 rounded forend available.
- » Euro-profile 5 pin cylinder made to DIN V 18254 with 3 nickel plated steel sawn keys. HL/ AE finish: brass finished cylinder. HN/ NE/ AI finish: nickel finished cylinder.
- » Packed: 1/20 units.

Finish / entrance	40	50	60	70
Acero latonado (HL)	*	*	*	*
Acero niquelado (HN)	*	*	*	*
Acero esmaltado (HE)	*	*	*	*
Negro (NE)		*	*	*
Inox AISI 430 (AI)		*	*	*

Finish / entrance	40	50	60	70
2030	*	*	*	*
2031	*	*	*	*
2034	*	*	*	*
2035		*	*	*
2036	*	*	*	*



### 2030 Entrance

#### Features

- » Anti-friction Silent Tech latchbolt available: Smoother operation.

#### Operation

- » Reversible latchbolt withdraws from either side with levers or knobs or by cylinder.
- » 20 mm. double throw.

2030	Model	Backset	Finish	Packaging
	2030	40 / 50	HL	1 / 20
	2030	40 / 50	HN	1 / 20
	2030	40 / 50	AI	1 / 20
	2030	60 / 70	HL	1 / 20
	2030	60 / 70	HN	1 / 20
	2030	60 / 70	AI	1 / 20

### 2031 Store room

#### Features

- » Deadlock. Backset: 40/ 50/ 60 mm.
- » 2031-U: Same dimensions than 2030, 2034 and 2035.

#### Operation

- » 20 mm. double throw.

2031	Model	Backset	Finish	Packaging
	2031	40 / 50	HL	1 / 20
	2031	40 / 50	HN	1 / 20
	2031	60	HL	1 / 20
	2031	60	HN	1 / 20

Underline: "Express 5" service.

No underline: 15 working days maximum.



# Building range

## 2034 Privacy

### Operation

- » Reversible latchbolt withdraws from either side with levers or knobs.
- » 20mm. single throw.

2034	Model	Backset	Finish	Packaging
	2034	40 / 50	HL / HN	1 / 20
	2034	40 / 50	AI	1 / 20
	2034	60 / 70	AI	1 / 20
	2034	60 / 70	HL / HN	1 / 20

## 2036 - Roller bolt

### Operation

- » 20 mm. double throw.

2036	Model	Backset	Finish	Packaging
	2036	40 / 50	HL	1 / 20
	2036	40 / 50	HN	1 / 20
	2036	40 / 50	AI	1 / 20
	2036	60	HL	1 / 20
	2036	60	HN	1 / 20
	2036	60	AI	1 / 20

## 2035 Passage

### Operation

- » Reversible latchbolt withdraws from either side with levers or knobs.

2035	Model	Backset	Finish	Packaging
	2035	50	HL / HN	1 / 20
	2035	60	HL / HN	1 / 20

## 2S30 Silent tech series

### Features

- » Zinc alloy sprung anti-friction latchbolt: smoother operation.
- » Reversible.

2S30	Model	Backset	Finish	Packaging
	2S30	50	AI	1 / 20
	2S30	50	HL	1 / 20
	2S30	50	HN	1 / 20
	2S30	60	AI	1 / 20
	2S30	60	HL	1 / 20
	2S30	60	HN	1 / 20

2S34	Model	Backset	Finish	Packaging
	2S34	50	AI	1 / 20
	2S34	50	HL	1 / 20
	2S34	50	HN	1 / 20
	2S34	60	AI	1 / 20
	2S34	60	HL	1 / 20
	2S34	60	HN	1 / 20

2S35	Model	Backset	Finish	Packaging
	2S35	50	AI	1 / 20
	2S35	50	HL	1 / 20
	2S35	50	HN	1 / 20
	2S35	60	AI	1 / 20
	2S35	60	HL	1 / 20
	2S35	60	HN	1 / 20

# Institutional range

## 2030F series

Hospitals, schools, office buildings, ... deal with intensive public traffic and rough use.

Locks included in the Commercial Range bring together reliability and functionality, and combine also with handles, panic bars, electro-magnetic devices, etc. provided by TESA.

Las cerraduras 2030F de la gama Institucional están certificadas según la norma UNE-EN 12209. Certificado CE.

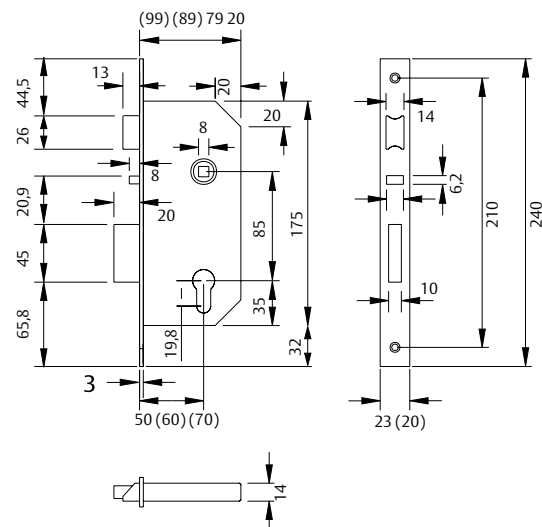
### Features

- » Sashlock for timber doors.
- » Reversible latchbolt.
- » Distance between axes: 85 mm.
- » Backsets: 50/ 60/ 70 mm.
- » Follower: 8 mm. Thumbturn follower: 6 mm.
- » 1/2 rounded forend available.
- » Closed lockcase.
- » Euro-profile 5 pin cylinder made to DIN V 18254 with 3 nickel plated steel sawn keys. LP/ HL finish: brass finished cylinder. HN/ NE/ AI finish: nickel finished cylinder.
- » Packed: 1/20 units.



CERTIFIED ACCORDING  
**UNE-EN  
12209:2004**



2030F, 2030 E, 2030S		
HL	AI	NE
steel/pnt	steel/pnt	steel/pnt
steel/brass	stainless steel 430	steel/pnt
steel/brass	stainless steel 430	steel/pnt
st/nickel	st/nickel	st/nickel
st/nickel	st/nickel	st/nickel



Model	Follower	Anticard system	Interior operation	Exterior operation	Latchbolt	Deadbolt	Fire resistance	Antipanic	Notes
2030F	split	NO	handle/cylinder	handle/cylinder	YES	YES	YES	YES	Steel latchbolt.
2030F	standard	YES	handle/cylinder	cylinder	YES	YES	YES	YES	Steel latchbolt.
2S30	standard	YES	handle/cylinder	handle/cylinder	YES	YES	NO	YES	Silence latchbolt.
2035F	standard	NO	handle	handle	YES	NO	YES	NO	Passage door.
2037F	split	NO	bar/handle/cyl.	handle/cylinder	YES	NO	YES	YES	Reversible.
2038F	standard	NO	cylinder	cylinder	NO	NO	YES	YES	Sliding door.
2039F	standard	NO	handle	cylinder	YES	NO	YES	NO	Gate.
203MN	standard	YES	handle	cylinder	YES	YES	YES	YES	Automatic.

# Mortice locks

## 2030F serie

Split follower	Model	Latch	Backset A	Hand	Standard follower	Model	Latch	BACKset A	Hand
	2030F	50 / 5R	I / D	NE		2030F	50 / 5R	-	NE
	2030F	50	I / D	AI		2030F	50 / 5R	-	AI
	2030F	50 / 5R	I / D	HL		2030F	5R	-	HL
	2030F	60 / 6R	I / D	NE		2030F	60 / 6R	-	NE
	2030F	60 / 6R	I / D	AI		2030F	60 / 6R	-	AI
	2030F	60	I / D	HL		2030F	60	-	HL

Underline: "Express 5" service.

No underline: 15 working days maximum.

## 2035F serie

- » Application to fire proof doors (steel latchbolt and deadbolt).
- » Passage doors.

### Operation

- » Reversible latchbolt withdraws from either side with levers or knobs.

2035F	Model	Backset	Hand	Finish
Nueca pasante	2035F	50 / 5R	-	NE
	2035F	50 / 5R	-	AI
	2035F	60 / 6R	-	NE
	2035F	60 / 6R	-	AI
	2035F	60 / 6R	-	HL

Underline: "Express 5" service.

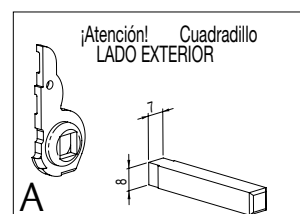
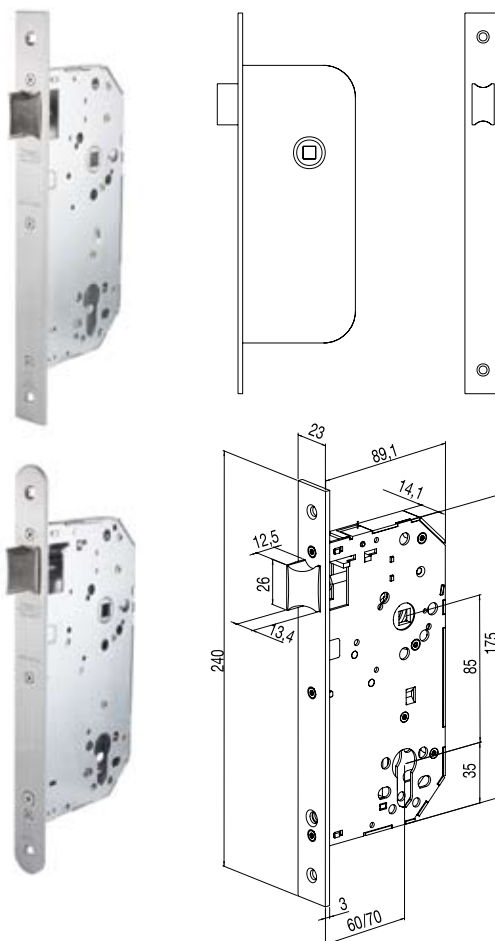
No underline: 15 working days maximum.

## 2037F serie

### Features:

- » The cylinder activates the latchbolt and blocks the follower.
- » Follower activates the latchbolt.
- » Antipanic from exterior side.
- » Valid for fire resistance doors.
- » Distance between axes: 85 mm.
- » Backset: 60/70 mm.
- » Follower 8 mm.
- » Round 1/2 optional.
- » Steel reversible latchbolt. Reversibility is done moving the stop.
- » Antipanic function is based the position of the spindle.
- » Double spindle specific for 2037, 8x105 mm.
- » Double spindle optional 2037, 8x125 mm.

Model	Backset	Finish
2037F	60	NE
2037F	70	NE
2037F	60	AI
2037F	70	AI
2037F	6R	NE
2037F	7R	NE
2037F	6R	AI
2037F	7R	AI



# Mortice locks

## 2038 series

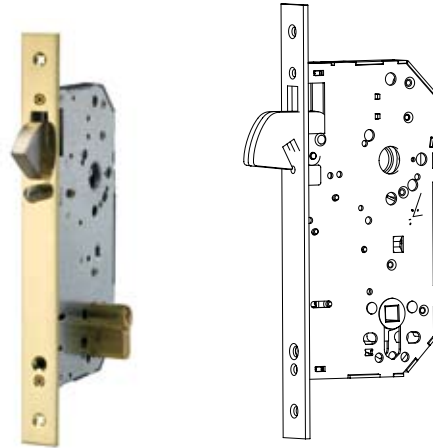
### Features:

- » Backsets: 60/70 mm.
- » Activable hook with cylinder.
- » Same mortising as the 2030 model.

Model	Backset	Finish	Packaging
2038	60 / 70	HL	1 / 20
2038	60 / 70	Al	1 / 20

Underline: "Express 5" service.

No underline: 15 working days maximum.



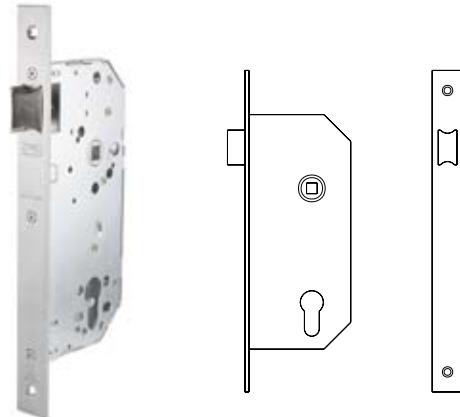
## 2039F series

- » Application to fire proof doors (steel latchbolt and deadbolt).
- » Main entrance doors. Mortice nightlatch.

### Operation

- » Latchbolt withdraws from inside with lever or knob or by single cylinder from outside.

2039F	Model	Latch	Backset A	Hand
	2039F	50	-	NE
Standard follower	2039F	50	-	Al
	2039F	60	-	Al

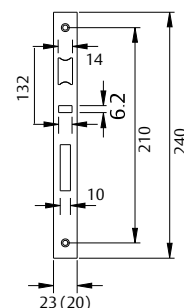
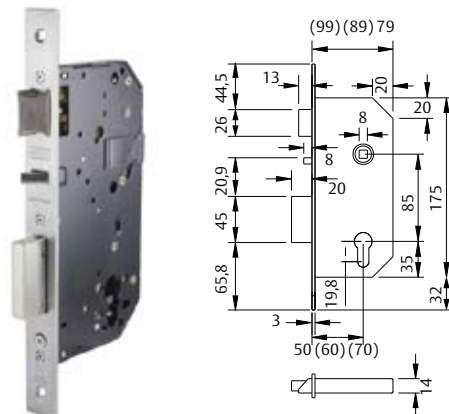


## 203MN automatic series

- » Distance between shafts: 85 mm.
- » Backsets: 60/70 mm.
- » 8 mm follower rod.
- » Automatic lever projection.
- » Panic exit function.
- » Anticard device.
- » Apt for firebreak doors.
- » Extra security:
  - The lever is not projected until the latch is lodged in the frame.
  - The lever has double interlocking, halfway and at the end of the trajectory.

CERTIFIED ACCORDING  
**UNE-EN  
12209:2004**

Model	Backset	Finish	Packaging
203MN	60	Al	1 / 20
203MN	70	Al	1 / 20



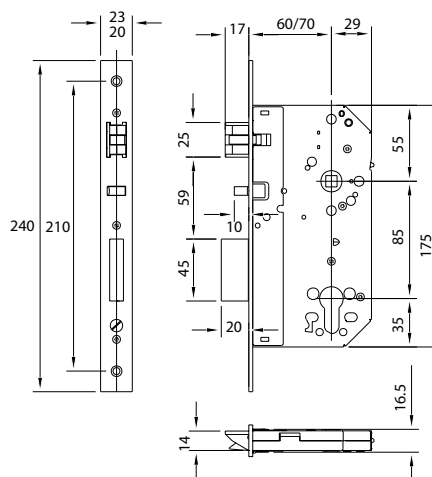
# Architectural range

## 2UB0F serie

### Features

- » Mortise lock for wooden doors.
- » Conforms to the UNE-EN 12209 standard. EC-certified.
- » Reversible, silent latch in sintered steel. Profile of the latch: 17 mm (extra-security).
- » Distance between shafts: 85 mm.
- » Backsets: 60/70 mm.
- » By default, they include a panic exit function allowing for permanent free passage from the inside. With a double follower rod, an external protection device for the rod is installed in order to prevent the handle from being operated.
- » Steel follower rod: 8mm. Deadbolt follower rod: 6 mm
- » Optional round shape 1/2.
- » Closed body, which prevents shavings from entering at the time of installation.
- » TE-5 Europrofile cylinder with nickel steel keys. LP and HL finishes: cylinder's finish in brass. HN, AI and NE finishes: cylinder's finish in nickel.
- » Packaging in boxes of 1/20 units.

CERTIFIED ACCORDING  
**UNE-EN  
12209:2004**



Material / finishes	HL
Body/cover	steel/paint
Front	steel/brass
Strike	steel/brass
Latch	steel/brass
Lever	steel/brass

Material / finishes	AI	NE
Body/cover	steel/paint	steel/paint
Front	inox 430	steel/paint
Strike	inox 430	steel/paint
Latch	steel/nickel	steel/paint
Lever	steel/nickel	steel/paint

Example antipanic standard follower reference  
**2UB0FA60RI**

Serie	Fonction	Fire	Antipanic	Backset	Hand	Rounded forend	Finish
2UB0	0	F	A	6	0	R	I

Example non antipanic standard follower reference  
**2UB0FE60RI**

Serie	Fonction	Fire	No antipanic	Backset	Hand	Rounded forend	Finish
2UB0	0	F	E	6	0	R	I

Example antipanic standard follower reference  
square forend: **2UB0FA60AI**

Serie	Fonction	Fire	Antipanic	Backset	Hand	Rounded forend	Finish
2UB0	0	F	A	6	0		AI

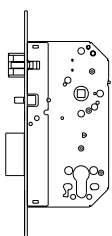
Example antipanic split follower reference:  
**2UB0FA6DRI**

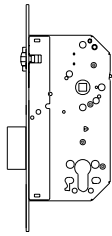
Serie	Fonction	Fire	Antipanic	Backset	Hand	Rounded forend	Finish
2UB0	0	F	A	6	D	R	I

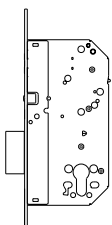
B

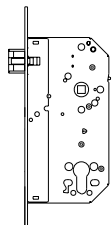
# Architectural range

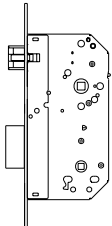
## 2UB0F series

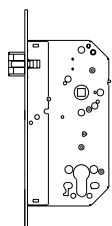
2UB0F	Model	Backset A	Finish	Packaging
	2UB0F	60 / 70	AI	1 / 20
	2UB0	60 / 70	HL	1 / 20

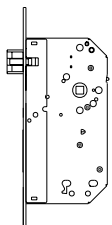
2UB6F	Model	Backset A	Finish	Packaging
	2UB6F	60 / 70	AI	1 / 20
	2UB6	60 / 70	HL	1 / 20

2UB1F	Model	Backset A	Finish	Packaging
	2UB1F	60 / 70	AI	1 / 20
	2UB1	60 / 70	HL	1 / 20

2UB7F	Model	Backset A	Finish	Packaging
	2UB7F	60 / 70	AI	1 / 20
	2UB7	60 / 70	HL	1 / 20

2UB4F	Model	Backset A	Finish	Packaging
	2UB4F	60 / 70	AI	1 / 20
	2UB4	60 / 70	HL	1 / 20

2UB9F	Model	Backset A	Finish	Packaging
	2UB9F	60 / 70	AI	1 / 20
	2UB9	60 / 70	HL	1 / 20

2UB5F	Model	Backset A	Finish	Packaging
	2UB5F	60 / 70	AI	1 / 20
	2UB5	60 / 70	HL	1 / 20

Underline: "Express 5" service.  
 No underline: 15 working days maximum.

# Architectural range

## 2UB0F series

In recent years we have witnessed a great development of the European standards in the field of architectural fittings. Gradually all members of the CEN (Spain among them) have confirmed the various European standards (EN) concerning architectural buildings – these regulations have the category of National Standards, and they must be compulsorily observed by all member countries.

As the leading national manufacturer, TESA has developed a range of fittings targeting specifiers (architects, builders) with an eye on every specific standard: locks, cylinders, door closers, panic exit devices, etc. The locks in the 2UB0F series have been tested according to the UNE-EN 12209 standard, successfully passing every test. According to the initial sample tests, the lock has been classified as follows:

3 S 8 1 0 F 3 B C 2 0

### 1. Category of use

Grade 3 for public use, where users are not likely to be very careful and the risks of misuse are much higher.

### 2. Durability

200,000 test cycles and a 50 N load over the latch.

### 3. Mass of the door and closing strength

Grade 3 for those doors whose mass is above 200 kg. Closing strength: 50 N.

### 4. Compatibility of use with firebreak doors

Apt for use in firebreak doors and/or smoke stop seals.

### 5. Safety

No requirements.

### 6. Anticorrosion and temperature resistance

High anticorrosion resistance. Temperature requisites: between  $-20^{\circ}\text{C}$  and  $+80^{\circ}\text{C}$ .

### 7. Security of goods and antidrill resistance

Medium security.

### 8. Fields of application for doors

Mortise and side hung door.

### 9. Type of key manoeuvre and blocking

Various.

### 10. Type of manoeuvre in the follower rod

Various.

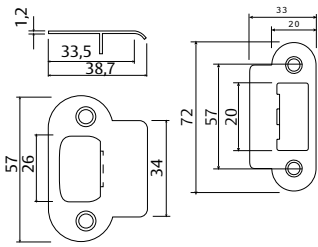
### 11. Requirements for key identification

No requirements.

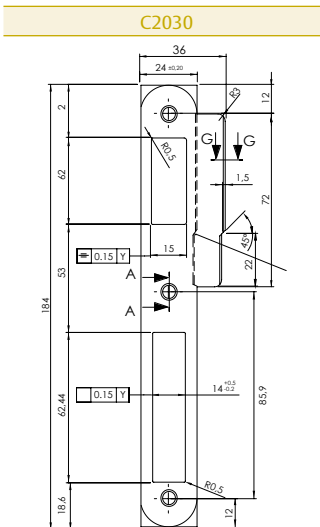


# Accessories

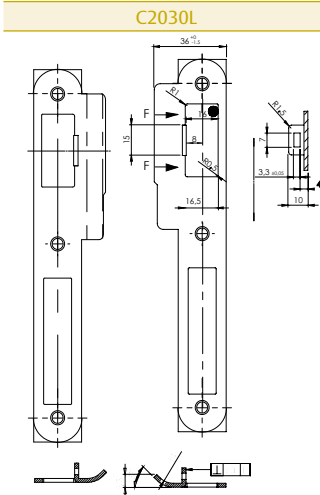
## Strike plates



Reference	Hand	Finish	Suitable for	Packaging
CR2534	No	AE / HL	2004U / 134U	100
C2004U	No	AE / HL / HN	2004U / 134U	100
C2004	No	HL	2000 / 2 / 4	100
C2005	No	HL	2005	100
C2014	No	HL	2010 / P / 4	100
C2015	No	HL	2015	100



Reference	Hand	Finish	Suitable for	Packaging
C2030	No	HL / HN	2030 / 34	100
C2030	No	Al	2030 / 34	100
C2030	No	NE	2030 / 34	100



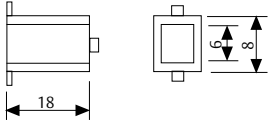
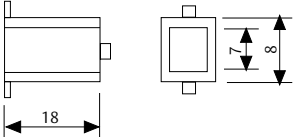
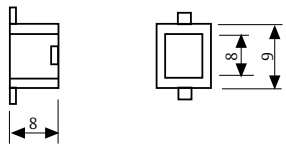
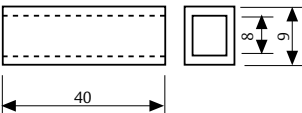
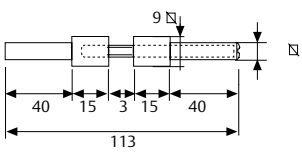
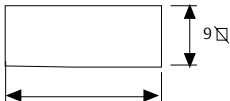
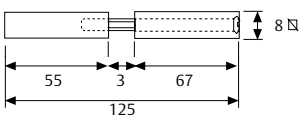
Reference	Hand	Finish	Suitable for	Packaging
C2030LI	Izquierda	HL / HN	2030 / 34	100
C2030LI	Izquierda	Al	2030 / 34	100
C2030LI	Izquierda	NE	2030 / 34	100
C2030LD	Derecha	HL / HN	2030 / 34	100
C2030LD	Derecha	Al	2030 / 34	100
C2030LD	Derecha	NE	2030 / 34	100



# Accessories

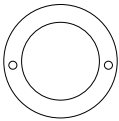
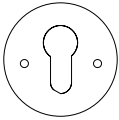
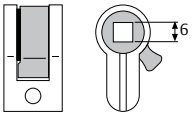
## Spindles and adaptors

- » Steel adaptors.
- » Installation: in the lock/ handle follower.
- » Use split spindles with split follower locks.

Models	Reference	Application
	44600HH	From 8 to 6 mm For fire rated locks with single nut
	44700HH	From 8 to 7 mm For fire rated locks with single nut
	44900HH	From 9 to 8 mm For fire rated locks with double nut
	CASQUCF50	From 9 to 8 mm For fire rated locks with single nut
Models	Reference	Application
	CDCF60MAK	Double square spindle 8/9 + 9/8
	CDCF60MAL	Square spindle 9
	CD2030S8M	Double square spindle 8/8 + 8/8

B

# Accessories

Models	Reference	Application	Packaging
	440/00LM	Brass escutcheon for round cylinder	50
	441/00LM	Brass escutcheon for euro cylinder	10
	441/00NM	Nickel escutcheon for euro cylinder	10
	ADAPT2034	Adaptor to convert a cylinder lock (2010P / 130 / 2030) into a privacy lock 2014, 134 6 2034	10

# Notas

A series of horizontal dashed lines for writing notes.



---

## **ASSA ABLOY**

Talleres de Escoriaza, S.A.U.  
Barrio Ventas, 35 • E-20305 Irun • SPAIN  
Tel.: +34 943 669 100 • Fax: +34 943 622 189  
[www.tesa.es](http://www.tesa.es)

ASSA ABLOY is the global leader in door opening solutions,  
dedicated to satisfying end-user needs for security, safety and convenience.